

Automated Lubrication Made Easy

The Centro-Matic® System's New Integrated Pumps



“Because the control unit and solenoid valve are built right in, it saves you money and reduces installation time!”

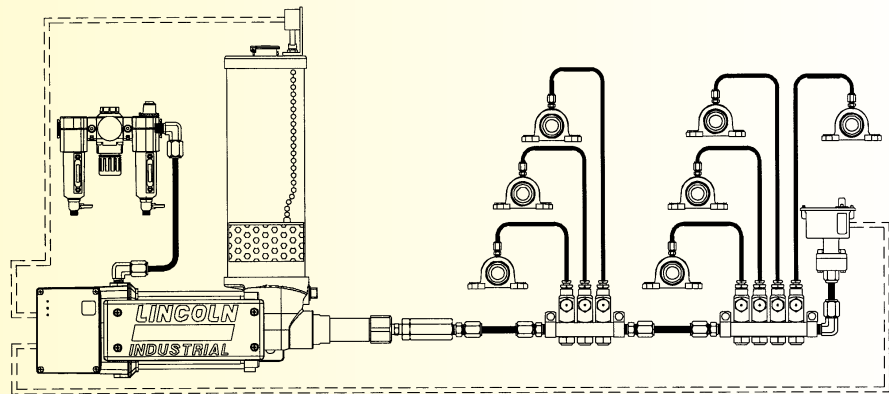
*Lonnie Willmann,
Maintenance Supervisor*

Centro-Matic® Systems – Realize The Benefits Of Automated Lubrication

Reduced downtime, higher productivity, a safer working environment – all the results of improved lubrication. Because automated systems dispense small amounts of lubricant to each bearing more frequently, they eliminate the damaging results of over- and under-lubrication so common with manual lubrication practices.

Count on Quality

Lincoln Industrial's Centro-Matic system is the industry leader in performance and quality. As the system is pressurized, the injectors simultaneously lubricate each point with the exact amount of either grease or oil. Single-line Centro-Matic systems are flexible, allowing you to easily add or delete lubrication points as needed.



Injector Quality

All of Lincoln Industrial's quality injectors are compatible with the new integrated pump stations. Time-tested SL series injectors have been proven to last at least twice as long as most other comparable injectors (1998 independent laboratory test results available on request). Injectors are available in carbon steel or stainless steel to meet the rigors of any operating environment.



New Centro-Matic® Integrated Pump Stations

To make your life easier, Lincoln Industrial has combined three essential components; the pump, control timer, and air solenoid valve. This integrated unit offers you greater flexibility and increased productivity. Here's how.

Easy to Choose - Easy to Use!

Instead of separately selecting, purchasing, wiring and mounting a pump, timer/controller and solenoid valve, you can choose an integrated pump with just the right voltage, output and reservoir size for your job.

Eliminate Complex and Costly PLC Controls

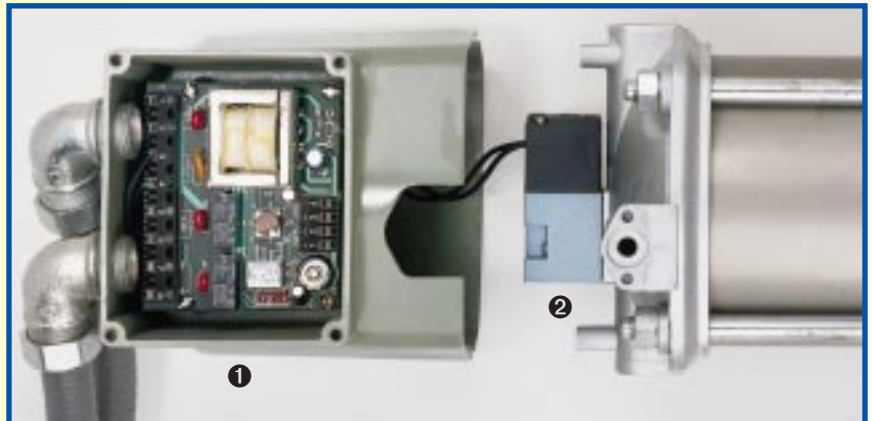
The integrated solid-state system control eliminates the need to use programmable logic control (PLC) input and output connections. You can choose from simple "timer mode" to control on/off cycles with no monitoring, or you can choose to detect the lubricant reservoir level and/or supply line pressure (additional components required) to monitor system performance. Included external alarm contacts let you signal alarm conditions at a remote location.

Faster Installation

New integrated Centro-Matic pumps mean you mount and assemble fewer components. Installation time is reduced by as much as 70% when compared to a pump with separate controls.



Three components combined: pump, timer and solenoid



Integrated timer (1) and solenoid valve (2) shown as disassembled close-up



Manual lube button initiates a lubrication cycle which allows easy testing and servicing of the system.

Controller has monitoring capabilities for optional reservoir level and system pressure devices.

Air-Operated Single Stroke Pumps with Integrated Controls

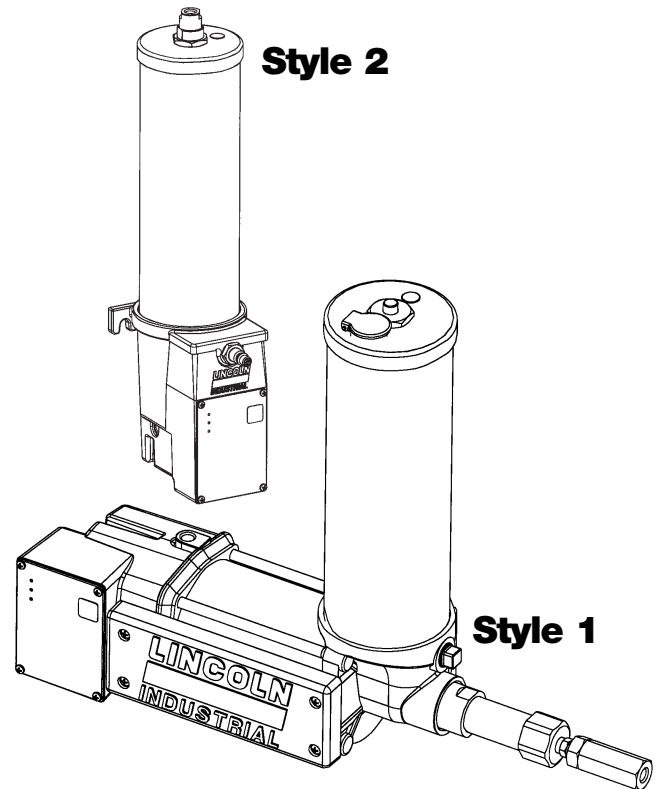
General Description

All models are air-operated, positive displacement pumps delivering a maximum volume by means of a single stroke of the pump (volumes listed below). Solenoid air valves and adjustable solid-state time controls are integrated into the pump body.

All pumps are designed to deliver grease or fluid lubricants (see table below) to single-line injectors. Grease pumps include a special high volume refill fitting. Fluid pumps are filled via a spring-loaded filler cap and internal filter.

Pumps are available with acrylic reservoirs in several sizes for grease or fluids. Pump models 85432 and 85433 do not include a reservoir, and are designed for remote or bulk-fill oil applications (80 PSI/5.4 Bar maximum head pressure).

integrated controls feature LED indicators for "Power On", "Pump On", and "Alarm", along with a membrane-type "Manual Lube" switch.



Grease pump specifications

Model	Style	Dimensions LxWxH - in./mm	Ratio	Power	Typical System Operating Pressure	Max. Output	Reservoir Capacity	
85434	1	24.70"x6.52"x18.11" 627x166x460	31:1	120 VAC	Min. 1200 psig, 82 bar	1.4 in ³	4.5 lbs 1.8 kg	
85435				240 VAC	Max. 3500 psig, 240 bar	18.7 cm ³		
85436			25:1	120 VAC	Min. 1200 psig, 82 bar	2.15 in ³		
85437				240 VAC	Max. 3500 psig, 240 bar	35.2 cm ³		
85442	2	5.25"x7.24"x12.02" 133x184x305	20:1	120 VAC	Min. 1200 psig, 82 bar	0.45 in ³ 7.4 cm ³	1 lb	
85443				240 VAC	Max. 3500 psig, 240 bar		0.450 kg	
85444				5.25"x7.24"x20.75" 133x184x527	120 VAC	Min. 1200 psig, 82 bar	4 lb	
85445					240 VAC	Max. 3500 psig, 240 bar	1.8 kg	

Fluid pump specifications

Model	Style	Dimensions LxWxH - in./mm	Ratio	Power	Typical System Operating Pressure	Max. Output	Reservoir Capacity	
85430	1	24.70"x6.52"x18.11" 627x166x460	20:1	120 VAC	Min. 750 psig, 52 bar Max. 1000 psig, 69 bar	2.4 in ³ 39.3 cm ³	4.5 pints	
85431				240 VAC			2.1 liters	
85432				120 VAC			N/A	
85433				240 VAC				
85438	2	5.25"x7.24"x12.02" 133x184x305	20:1	120 VAC	Min. 750 psig, 52 bar Max. 1000 psig, 69 bar	0.45 in ³ 7.4 cm ³	1.25 pints	
85439				240 VAC			0.6 liters	
85440				5.25"x7.24"x20.75" 133x184x527			120 VAC	4.25 pints
85441							240 VAC	2.0 liters

Timer and Controller Specifications

On time	Off time	Alarm contacts	Operating Temperature
10 sec or 30 sec	1/2 to 30 min or 30 min to 30 hrs	8 amps @ 250 VAC	-10°F to 150°F -23° C to 165° C